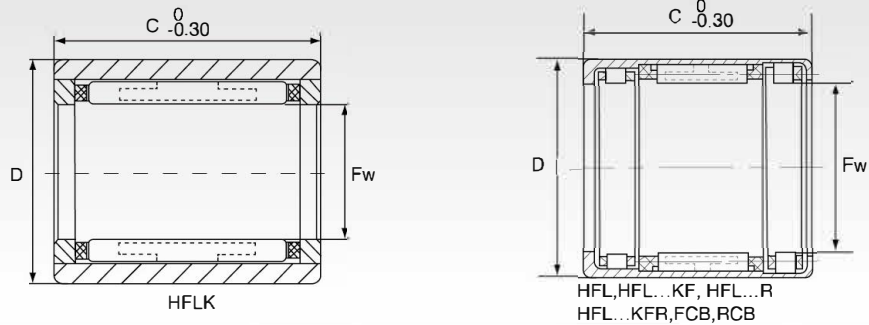


冲压外圈滚针离合器和轴承组件

Drawn Cup Needle Roller Clutch and Bearing Assemblies



轴径 Shaft Diameter (mm)	轴承型号 Bearing Designation		重量 Mass 近似 Approx	外形尺寸 Boundary Dimensions			传动力矩 Pmissible Torque Md	C	Co	极限转速 Limiting Speed	
	塑料弹簧 Plastic Spring	钢弹簧 Steel Springs		Fw	D	C				轴旋转 Rotating Shaft Min ⁻¹	外圈旋转 Rotatng Outer Ring Min ⁻¹
			g	mm			N.m	KN			
3	HFL0308KF		3	3	3.6	8	1				
4	HFL0408KF		3.5	4	8	8	1.5				
6	HFL0615KF	HFL0615	4	6	10	15	1.76	-	-	23000	13000
	HFL0615KFR	HFL0615R	4	6	10	15	0.5	-	-	23000	13000
8		HFL061012K	5	6	10	12				21000	12000
		HFL081212K	6	8	12	12				20000	12000
		HFL081412K	7	8	14	12				19000	12000
	HFL0822KF	HFL0822	7	8	12	22	3.15	4.05	4.15	17000	12000
10	HFL0822KFR	HFL0822R	7	8	12	22	1	-	-	17000	12000
	HFL1022KF	HFL1022	8	10	14	22	5.3	4.3	4.65	14000	11000
	HFL1022KFR	HFL1022R	8	10	14	22	1.5	-	-	14000	11000
12	-	HFL1226	18	12	18	26	12.2	6.3	6.5	11000	8000
14	-	HFL1426	20	14	20	26	17.3	7.1	7.7	9500	8000
16	-	HFL1626	22	16	22	26	20.5	7.3	8.4	8500	7500
18	-	HFL1826	25	18	24	26	24.1	8.3	10.3	7500	7500
20	-	HFL2026	27	20	26	26	28.5	8.2	10.4	7000	6500
25	-	HFL2530	44	25	32	30	66	10.9	14.1	5500	5500
	-	HFL2550	65	25	37	50	100	14	17	5000	5500
30	-	HFL3030	51	30	37	30	90	12.6	17.6	4500	4500
35	-	HFL3530	58	35	42	30	121	13	19.3	3900	3900